



ATD-5180

8 GALLON WASTE OIL DRAIN W/CASTER INSTRUCTION MANUAL

SAVE THIS MANUAL

You will need this manual for the safety warnings and precautions, assembly, operating, inspection, maintenance and cleaning procedures, parts list and assembly diagram. Keep your invoice with this manual. Keep this manual and invoice in a safe and dry place for future reference.

SPECIFICATIONS:

Item	Description
Maximum Holding Capacity:	8 gallon
Funnel Dimensions:	17" diameter x 10" deep 1-1/2" diameter drain pipe
Tank Dimensions:	17-1/2" diameter x 17-1/2" height
Adjustable Height	27-1/2" minimum height 65" maximum height
Waste Drain Dimensions:	2-1/2" O.D 3/4" standard thread
Net Weight:	10.58 Pounds

GENERAL SAFETY WARNINGS AND PRECAUTIONS

- 1. Keep work area clean and dry.** Cluttered, damp or wet work areas invite injuries.
- 2. Keep children away from work area.** Do not allow children to handle this product.
- 3. Store idle equipment.** When not in use, tools and equipment should be stored in a dry location to inhibit rust. Always lock up tools and equipment, and keep out of reach of children.
- 4. Do not use this product if under the influence of alcohol or drugs.** Read warning labels on prescriptions to determine if your judgment or reflexes are impaired while taking drugs. If there is any doubt, do not attempt to use this product.
- 5. Use eye protection.** Wear ANSI-approved safety impact eye goggles when using this product.
- 6. Dress safely.** Do not wear loose clothing or jewelry, as they can become caught in moving parts. Wear a protective hair covering to prevent long hair from becoming caught in moving parts.

7. **Do not overreach.** Keep proper footing and balance at all times to prevent tripping, falling, back injury, etc.
8. **Industrial applications must follow OSHA requirements.**
9. **Stay alert.** Watch what you are doing at all times. Use common sense. Do not use this product when you are tired or distracted from the job at hand.
10. **Check for damaged parts.** Before using this product, carefully check that it will operate properly and perform its intended function. Check for damaged parts and any other conditions that may affect the operation of this product. Replace or repair damaged or worn parts immediately.
11. **Replacement parts and accessories:** When servicing, use only identical replacement parts. Only use accessories intended for use with this product. Approved accessories are available from your ATD distributor.
12. **Maintain this product with care.** Keep this product clean and dry during storage for better and safer performance. For your safety, service and maintenance should be performed regularly by a qualified technician.
13. **Use the right equipment for the job.** Do not attempt to force small equipment to do the work of a larger industrial tool. There are certain applications for which this equipment was designed. It will do the job better and more safely at the rate for which it was intended. Do not modify this equipment, and do not use this equipment for a purpose for which it was not intended.
14. **WARNING!** The warnings, precautions, and instructions discussed in this manual cannot cover all possible conditions and situations that may occur. The operator must understand that common sense and caution are factors, which cannot be built into this product, but must be supplied by the operator.

SPECIFIC PRODUCT WARNING AND PRECAUTIONS

1. **Make sure the oil drain is used only on a dry, oil/grease free, flat, level, ground surface capable of supporting the weight of the unit and contents.**
2. **Do not work under the vehicle without proper support devices.**
3. **Prior to using the oil drain dolly, make sure to read and understand all warnings, safety precautions, and instructions as outlined in the vehicle manufacturers' and the support device's instruction manuals.**
4. **Do not use the oil drain with the vehicle's engine running.** A vehicle's engine that is running produces odorless, invisible, carbon monoxide vapors which, if inhaled, may cause serious injury or death.
5. **Do not allow anyone in the vehicle while using the oil drain.** Keep all bystanders a safe distance away from the vehicle.
6. **Avoid burns.** Allow the engine oil to completely cool before draining the oil into the oil drain dolly.
7. **Do not leave the oil drain unattended when operating or evacuating oil.**
8. **Never use the oil drain near open flames or heat sources.**
9. **Make sure to remove the oil drain and all other tools and equipment before lowering the vehicle to the floor surface.**

10. **Follow guidelines for engine oil disposal.** Used engine oil should be removed from the vehicle and properly disposed of or recycled. Many states require recycling. Contact your local solid/liquid waste authority for information on recycling and/or disposal.
11. Oil contains hazardous chemicals which may be harmful to the environment and hazardous to your health.

ASSEMBLY AND OPERATING INSTRUCTIONS

NOTE: Please refer to the Assembly Diagram for the following installation and operating instructions.

1. Insert funnel(#2) into upper tube (#3) and secure it tightly by two screws(#1)
2. Connect the upper tube (#3) into the lower tube(#4) and secure it tightly by bolt(#9), washer (#10) and nut(#11)
3. Put the lower tube (#4) into the tank (#6) and secure it by tightening the adjusting clamp (#5). This completes the assembly.

WARNING! Make sure the vehicle is properly and securely raised on the lift before raising the oil drain into place. Follow all safety precautions outlined in this manual and the vehicle's manual.

6. To operate the oil drain, slightly unscrew the adjustable clamp (#5) and allow the two tubes and the funnel (#2) to slide downward to the lowest position.
7. Move the 8 gallon oil drain under the raised vehicle, making sure the funnel (#2) is positioned directly below the oil drain plug of the engine.
8. Raise the upper tube (#3) and funnel (#2) until the funnel (#2) sits approximately 4" directly below the oil drain plug of the engine. Then, tighten the adjustable clamp (#5) to hold the upper tube, lower tube and the funnel in place.
9. Remove the oil drain plug of the engine, and allow the old oil to completely drain from the engine into the funnel (#2) of the 8 gallon oil drain.
10. Once the old engine oil is completely drained, replace the oil drain plug of the engine.
11. When emptying the old oil from the tank (#6) of the oil drain, make sure to follow guidelines for engine oil disposal. If necessary, contact your local solid/liquid waste authority for information on recycling and/or disposal.

INSPECTION, MAINTENANCE, AND CLEANING

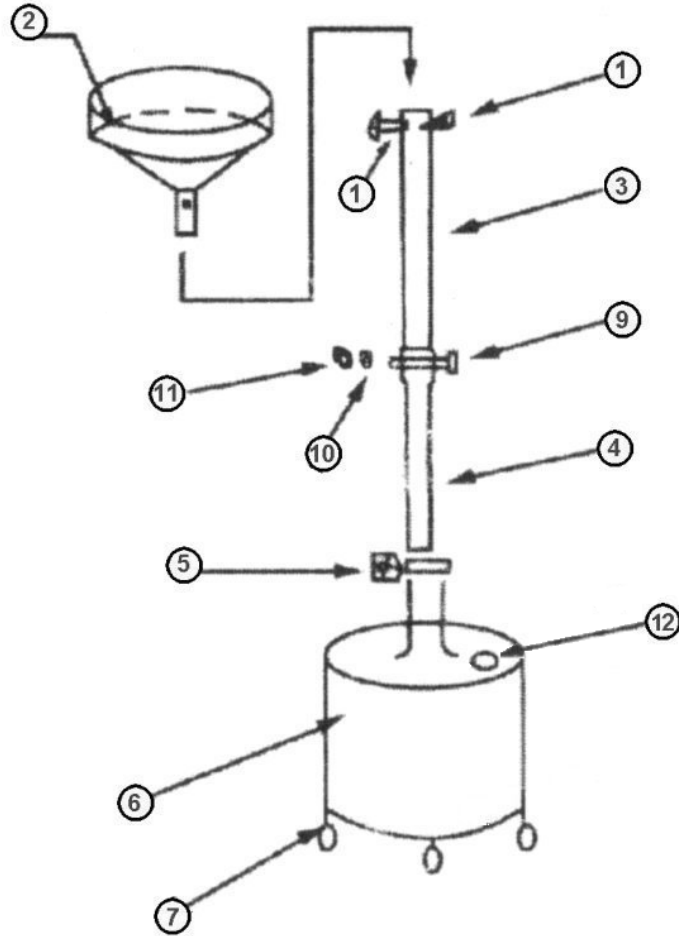
1. **Before each use**, inspect the general condition of the oil drain. Check for broken or bent parts, loose or missing parts, and any condition that may affect the proper operation of the product. If a problem occurs, have the problem corrected before further use. Do not use damaged equipment.
2. **When cleaning**, use a clean cloth with a detergent or mild solvent. Then, store the oil drain in a safe and dry location.

PLEASE READ THE FOLLOWING CAREFULLY

THE MANUFACTURER AND/OR DISTRIBUTOR HAS PROVIDED THE PARTS LIST AND ASSEMBLY DIAGRAM IN THIS MANUAL AS A REFERENCE TOOL ONLY. NEITHER THE MANUFACTURER OR DISTRIBUTOR MAKES ANY REPRESENTATION OR WARRANTY OF ANY KIND TO THE BUYER THAT HE OR SHE IS QUALIFIED TO MAKE ANY REPAIRS TO THE PRODUCT, OR THAT HE OR SHE IS QUALIFIED TO REPLACE ANY PARTS OF THE PRODUCT. IN FACT, THE MANUFACTURER AND/OR DISTRIBUTOR EXPRESSLY STATES THAT ALL REPAIRS AND PARTS REPLACEMENTS SHOULD BE UNDERTAKEN BY CERTIFIED AND LICENSED TECHNICIANS, AND NOT BY THE BUYER. THE BUYER ASSUMES ALL RISK AND LIABILITY ARISING OUT OF HIS OR HER REPAIRS TO THE ORIGINAL PRODUCT OR REPLACEMENT PARTS THERETO, OR ARISING OUT OF HIS OR HER INSTALLATION OF REPLACEMENT PARTS THERETO.



ATD-5180



ORDERING PART#	ITEM#	PART DESCRIPTION
PRT5180-H	1	SCREW
PRT5180-02	2	FUNNEL
PRT5180-03	3	UPPER TUBE
PRT5180-04	4	LOWER TUBE
PRT5180-05	5	ADJUSTING CLAMP
PRT5180-06	6	TANK
PRT5180-07	7	CASTER
PRT5180-H	9	LONG BOLT
PRT5180-H	10	WASHER
PRT5180-H	11	NUT
PRT5180-H	N/S	HARDWARE KIT (INCLUDES 1, 9, 10 & 11)

NOTE: Some parts are listed and shown for illustration purposes only, and are not available individually as replacement parts.